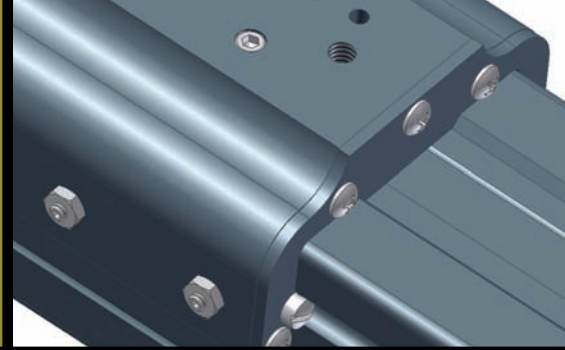
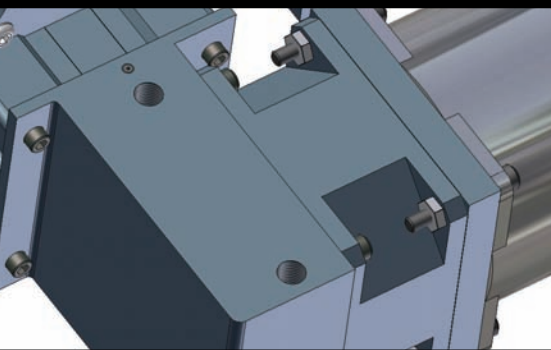


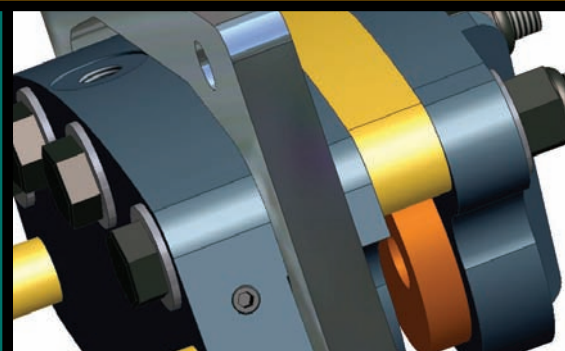
**PNEUMATIC**  
actuators



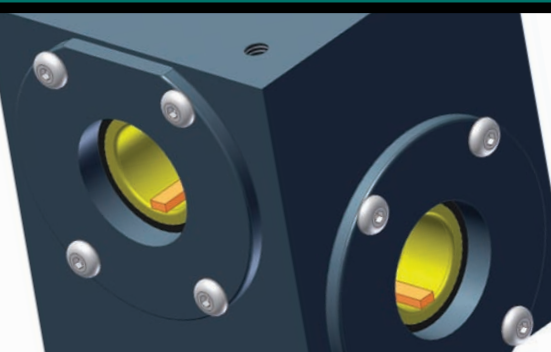
**ELECTRIC**  
actuators



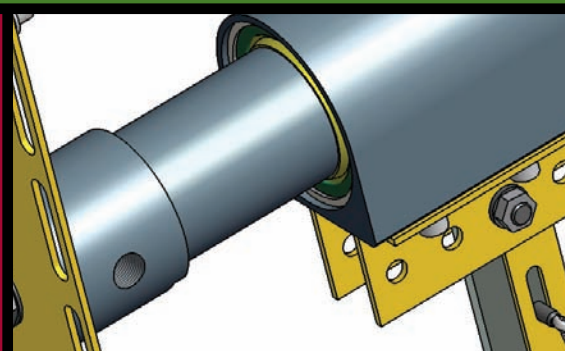
**CALIPER**  
disc brakes



**RIGHT ANGLE**  
gear drives



**DOORTEC®**  
overhead operators



**W.C. BRANHAM INC.**  
SOLUTIONS IN MOTION™

# WELCOME to W.C. Branham Inc.

*Thank you for selecting W.C. Branham Inc.*

*W. C. BRANHAM INC. is a leading fluid power, power transmission and motion control manufacturing company, with over three decades of industry experience. Coupled with our service and quality, we have gained continual recognition, expertise and excellence in our field.*

*Over the years, we have introduced a wide array of products. We are a world-wide supplier of pneumatic and electric linear actuators, caliper disc brakes, and right angle gear drives primarily serving the packaging, medical, pharmaceutical, automotive, material handling, food processing and other industries requiring automated industrial machinery; as well as our new Doortec® Pneumatic Opening Systems for the industrial and commercial overhead door industry.*

*We constantly strive to offer innovative products and we build to suit for OEMs, Distributor, Dealer and End User partners whose Engineers specify our products for customers around the world.*

*Our Solutions in Motion™ commitment takes your W.C. Branham experience full circle from pre-sale product selection or custom design, ordering, assembly, testing, and on-time shipping to post-sale follow up. Your repeat business is when we know that we have lived up to your expectations.*

*As you review our brochure, you'll find useful information about our products but by no means is this the only resource available to you. Each product shown includes search terms. Go to [www.wcbranham.com](http://www.wcbranham.com), and enter the term(s) in the search field. You'll be directed to more product information including dimensional and sizing data as well as CAD files and product detail for download.*

*We specialize in service and expert application advice so send us an email or call to request a competitive quotation - it is all free with no obligation. Why wait? Contact us today!*

**Tele 715.426.2000 | Fax 715.426.1400**

**Email [askwcb@wcbranham.com](mailto:askwcb@wcbranham.com) | [www.wcbranham.com](http://www.wcbranham.com)**

# PRODUCT lines

## PNEUMATIC actuators

*When you need pneumatic actuators look no further as W.C. Branham has designed and manufactured a wide range of popular rodless cylinders that can be integrated into endless industrial automation applications.*

## ELECTRIC actuators

*W.C. Branham belt drive actuators are an affordable solution worth taking a look at when programmable linear motion is desired. Sizes for NEMA 23, 34, 56 frame motors.*

## CALIPER disc brakes

*From as little as 600 to over 50,000 inch pounds of braking torque, W.C. Branham makes a wide range of caliper disc brakes for industrial and off-highway vehicular applications. Stop. Hold. Maintain Tension.*

## RIGHT ANGLE gear drives

*Slide keyed shafting through the bores and take a right turn for the better! W.C. Branham Right Angle Gear Drives are vast improvements over "float" or "slide-style" models made from other companies.*

## DOORTEC® door operators

*DoorTec Pneumatic Opening Systems are a new generation of door openers for the overhead door industry. We also manufacture direct replacements with Airlift's Magnaglide™ and Powerglide™ door operators.*

**This brochure lists keyword search terms to make  
browsing on our Web site even easier.**

PNEUMATIC  
actuators

ELECTRIC  
actuators

CALIPER  
disc brakes

RIGHT ANGLE  
gear drives

DOORTEC®  
door operators

# PNEUMATIC actuators



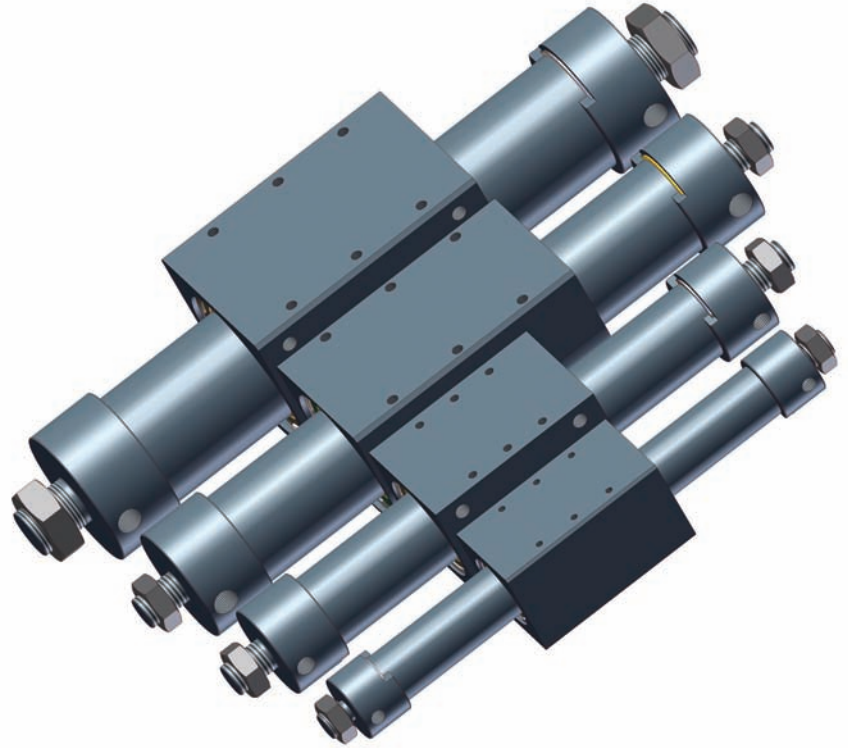
## *More Choices. Greater Savings.*

*When you need pneumatic actuators look no further as W.C. Branham has designed and manufactured a wide range of popular rodless cylinders that can be integrated into endless industrial automation applications.*

*W.C. Branham Inc. builds most of its' pneumatic actuators with stroke lengths from just a few inches upward to 23.5 feet and as long as 44 feet with rodless cable cylinders.*

*Space Savings. All of our pneumatic actuators stroke along the body length to reduce space which equates to a smaller machine footprint. Up to 50% more space savings than traditional cylinders.*

*With our product breadth, there's a high probability that you will find more than one pneumatic actuator to do you what you need it to do.*



## **MAGTEC® SERIES**

Rodless magnetically coupled cylinders

- Use when load is externally guided and supported
- Internal main air pressure seals
- Ideal for washdown, wet or harsh environments
- Best solution for long strokes
- 5 sizes; 1", 1.5", 2", 2.5", 4" bore diameters
- .125 inch wall thickness
- Aluminum tubing, hardcoated I.D./O.D.
- Stroke lengths to 120 inches (1" bore)
- Stroke lengths to 273 inches (all others)
- Axial load rated to 78 lbs. @ 100 psi (1" bore)
- Axial load rated to 177 lbs. @ 100 psi (1.5" bore)
- Axial load rated to 289 lbs. @100 psi (2" bore)
- Axial load rated to 491 lbs. @ 100 psi (2.5" bore)
- Axial load rated to 1,100 lbs @ 100 psi (4" bore)
- End, stud, foot mounting
- May be used low pressure hydraulic. Discuss with factory
- Carriage zerk fittings
- Adjustable cushioning
- Search: **MAG5**

## **applications**

Textile machinery | Corrugated paper splicers | Cage washers | Packaging machinery | Printing machinery | Car wash systems | Shrink wrapping |

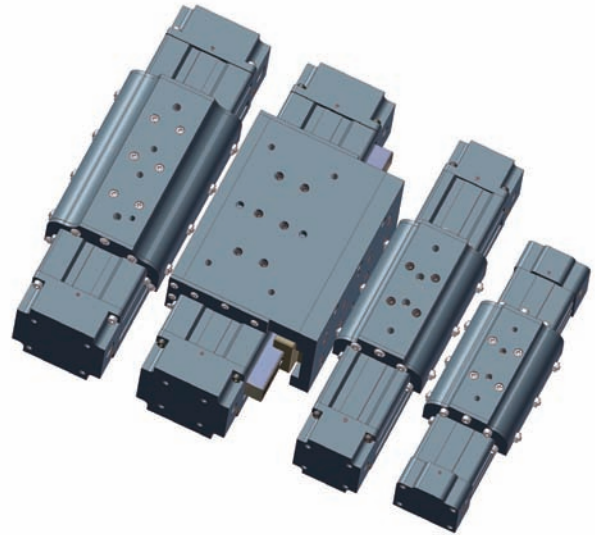
Tele 715.426.2000 | [askwcb@wcbranham.com](mailto:askwcb@wcbranham.com)

# PNEUMATIC actuators

## PNEUMAG® SERIES

Rodless magnetically coupled cylinders

- Provides guiding and load support
- 3 sizes; 1" (25mm), 1.25" (32mm), 1.75" (44mm), bore diameters
- Carrier/piston coupled magnetically
- Internal main air pressure seals
- Dual chamber extrusion design - no slot seal
- Hardcoated I.D./O.D.
- Stroke lengths to 134 inches (25mm)
- Stroke lengths to 158 inches (32mm)
- Stroke lengths to 273 inches (44mm)
- Load rated to 60 lbs. @ 80 psi (25mm)
- Load rated to 94 lbs. @ 80 psi (32mm)
- Load rated to 195 lbs. @ 100 psi (44mm)

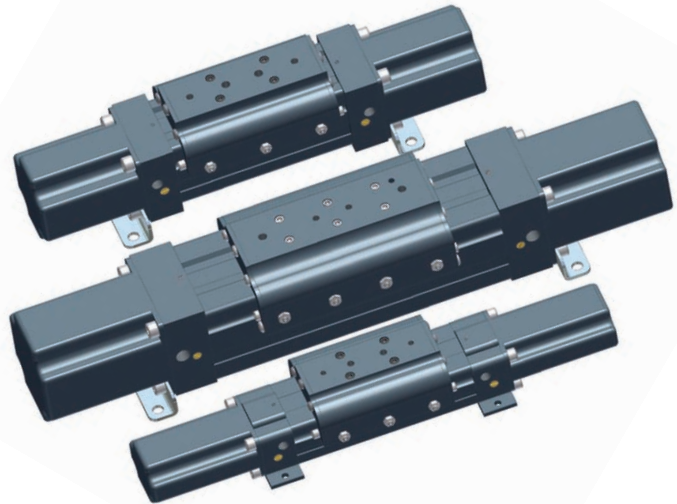


- End, stud, foot mount choices
- May be used low pressure hydraulic. Discuss with factory
- Adjustable cushioning
- Optional switches and sensors
- Search: [PNEUMAG-025](#), [PNEUMAG-032](#), [PNEUMAG-044](#)

## PNEUSA® SERIES

Rodless enclosed cable cylinders

- Provides guiding and load support
- Self lubricating Nylatron GS carrier bearings
- 3 sizes; 1" (25mm), 1.25" (32mm), 1.75" (44mm), bore diameters
- Carrier/piston mechanically coupled
- Internal main air pressure seals
- Ideal for harsh environments
- Dual chamber extrusion design - no slot seal
- Hardcoated I.D./O.D.
- Stroke lengths to 72 inches (25mm)
- Stroke lengths to 158 inches (32mm)
- Stroke lengths to 240 inches (44mm)
- 60 lbf @ 100 psi (25mm)
- 126 lbf @ 100 psi (32mm)



- 240 lbf @ 100 psi (44mm)
- Foot mount standard
- Compensating Tension Control - automatic cable tensioning
- Adjustable cushioning
- Optional switches and sensors
- Search: [PSA](#), [PSA-N-025](#), [PSA-N-032](#), [PSA-N-044](#)

## applications

Silk screening | Bottling systems | Material transfers | Automotive assembly | Gate openers | Part elevators | Animated displays | Safety systems

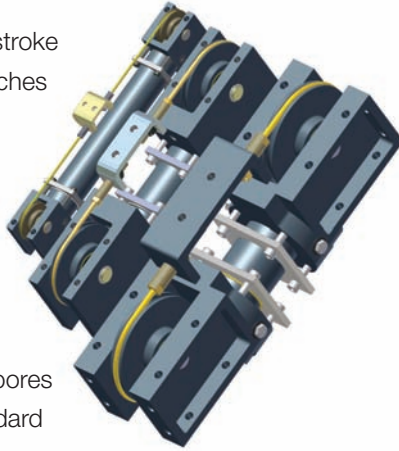
Enter search terms at [www.wcbranham.com](http://www.wcbranham.com) for more information

# PNEUMATIC actuators

## RODLESS CABLE CYLINDERS

Double acting

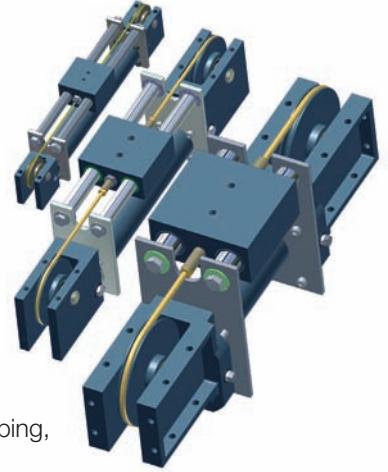
- Best value at price per inch stroke
- 9 bore sizes from 1/2 to 5 inches
- Quality manufactured cable seal glands, easy install
- Black anodized aluminum tubing, corrosion resistant
- Moves loads that are externally guided and supported
- Adjustable cushioning standard on 1.5 thru 5 inch bores
- Fixed orifice cushioning standard on .75 and 1 inch bores
- Mil-spec rated cable providing millions of continuous cycles
- Strokes to 44 feet
- 5:1 safety factor
- Viton® seals for added performance optional
- Optional automatic cable tensioners
- Multi-ported head assemblies optional
- Hydraulic service rated
- Mounting interchangeable with other brands
- Interchangeable cable and seal kits with other brands
- Low breakaway configurations
- Holding brake option
- Optional switches and sensors
- Search **1050, 1070, 1101, 1151, 1203, 1206, 1251, 1301, 1401, 1501**



## RODLESS CABLE CYLINDERS

Double acting - guided

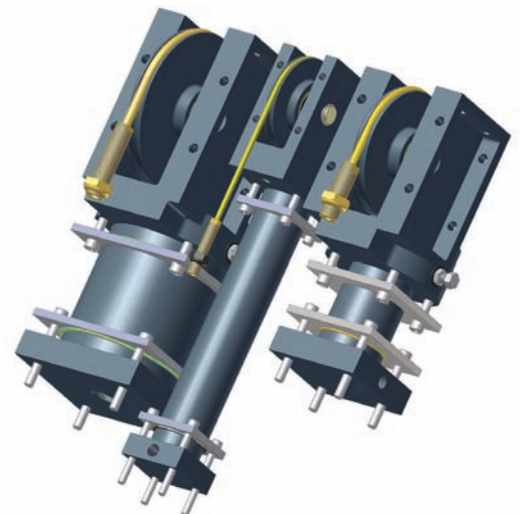
- 8 bore sizes from 1/2 to 4 inches
- Provides guiding and load support
- Self lubricating carrier bearings
- Best value at price per inch stroke when compared with other guided cylinders
- Quality manufactured cable seal glands, easy install
- Black anodized aluminum tubing, corrosion resistant
- Adjustable cushioning standard on 1.5 thru 4 inch bores
- Fixed orifice cushioning standard on .75 and 1 inch bores
- Mil-spec rated cable providing millions of continuous cycles
- Typical strokes to 100 inches
- 5:1 safety factor
- Viton® seals for added performance optional
- Optional automatic cable tensioners
- Multi-ported head assemblies optional
- Hydraulic service rated
- Interchangeable cable and seal kits with other brands
- Low breakaway configurations
- Holding brake option
- Optional switches and sensors
- Search: **1101-08, 1151-08, 1203-08, 1251-08, 1206-08, 1301-08, 1401-08**



## RODLESS CABLE CYLINDERS

Single acting - counter load balancing

- 7 Bore sizes from 1.5 to 5 inches.
- Best value at price per inch stroke
- Add extra cable, remote mount cylinder
- Quality manufactured cable seal glands, easy install
- Black anodized aluminum tubing, corrosion resistant
- Adjustable cushioning standard
- Mil-spec rated cable providing millions of continuous cycles
- Strokes to 44 feet
- 5:1 safety factor
- Viton® seals for added performance optional
- Multi-ported head assemblies optional
- Hydraulic service rated
- Interchangeable cable and seal kits with other brands
- Low breakaway configurations
- Optional switches and sensors
- Search: **1151SA, 1203SA, 1206SA, 1251SA, 1301SA, 1401SA, 1501SA**



## applications

Textile machinery | Corrugated paper splicers | Cage washers | Packaging machinery | Printing machinery | Car wash systems | Shrink wrapping |

Enter search terms at [www.wcbranham.com](http://www.wcbranham.com) for more information

# ELECTRIC actuators



**Programmable.  
Affordable.  
Linear Motion.**

*W.C. Branham Inc. Electric Actuators are an affordable solution worth taking a look at when programmable linear motion is desired. We have three belt drive series available for industry standard NEMA 23, 34 and 56 motor frame sizes.*

*Supporting these open standards provides widest possible choices when matching third party add-on gearboxes and motors.*

*Should your application require something different, we invite you to contact us so we can customize a solution to meet your needs.*

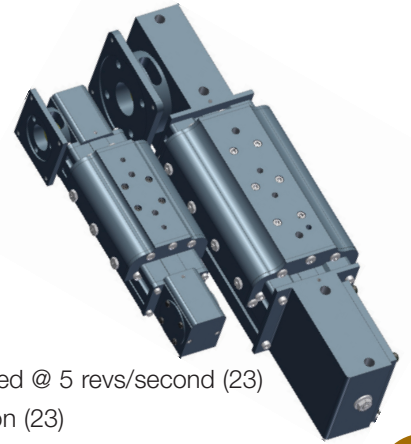
## applications

Silk screening | Spraying | Knifing | Material handling | Assembly | Packaging | Textile | Gate openers | Animated displays | Safety systems

### BELT-TEC™ SERIES

Belt Drive NEMA 23, 34 Ready

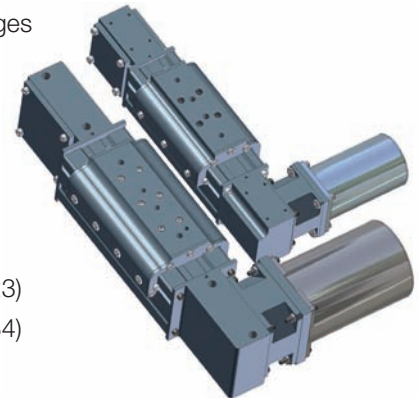
- Servo or Step motor plug and play or direct drive
- Hardcoated aluminum extrusion body
- Nylatron GS bearings - self lubricated, low wear rates
- Strokes to 72 inches (23)
- HTD Belt 3mm pitch 9mm wide (23)
- 20 lb vertical - 60 lb horizontal load rated @ 5 revs/second (23)
- 2.36 inches of linear travel per revolution (23)
- Optional 2.5:1 spur gearbox and servo motor packages (23)
- Strokes to 144 inches (34)
- HTD belt 5mm pitch 15mm wide (34)
- 36 lb vertical - 120 lb horizontal load rated @ 5 revs/second (34)
- 4.188 inches of linear travel per revolution (34)
- Belt tensioner
- Optional switches and sensors
- Search: **Belt-Tec**



### STEPTEC® SERIES

Belt Drive NEMA 23, 34

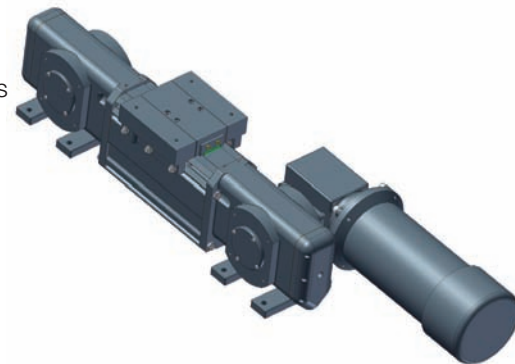
- Spur gearbox/step motor, slave packages
- Hardcoated aluminum extrusion body
- HTD Belt, belt tensioner standard
- Nylatron GS bearings - self lubricated, low wear rates
- Strokes to 158 inches
- Dual carrier option
- Step motor holding torque 210 oz-in (23)
- Step motor holding torque 620 oz-in (34)
- Optional switches and sensors
- Search: **1891,1893**



### ELECTEC™

Belt Drive NEMA 56

- Gearbox/motor, slave packages
- Nylatron GS bearings - self lubricated, low wear rates
- Strokes to 282 inches
- LL075H drive belt
- Belt tensioner
- Optional switches and sensors
- Search: **Electec**



# CALIPER disc brakes



## Stop. Hold. Maintain Tension.

From as little as 600 to over 50,000 inch pounds of braking torque, W.C. Branham Inc. makes a wide range of caliper disc brakes for industrial and off-highway vehicular applications. Choose from pneumatic, hydraulic, mechanical, hydraulic or pneumatic spring applied, and dual function mechanical/hydraulic models.

Each of our caliper disc brakes is made of either quality machined or cast aluminum construction and hardcoated for long service life. Friction pad linings are made from non-asbestos material and are field replaceable. Standard models sized for disc thicknesses of 5/32 inch (spacer option A), 1/4 inch (B), 3/8 inch (L) and 1/2 inch (E). Custom spacers can be made for other disc thicknesses.

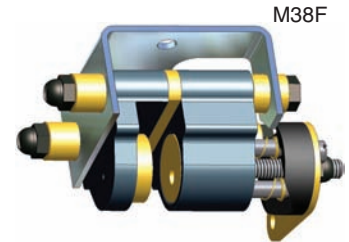
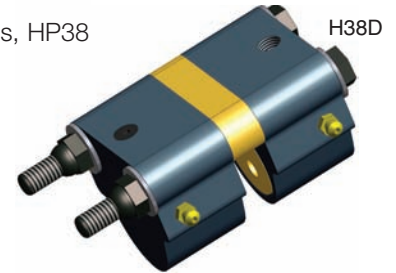
## industrial uses

Manipulator arms | Hose reels | Web and wire tensioning | Packaging | Printing presses | CNC machinery | Conveyor belts | Wind energy | Indexers

### 38 SERIES

Pneumatic floating/fixed P38S, P38D | Hydraulic floating/fixed H38S, H38D | Mechanical M38

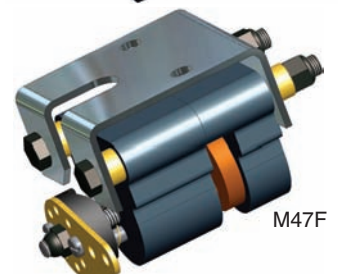
- Unlimited disc diameter
- Dynamic torque (inch/lb) 70 lbf per 100 psi x braking radius, HP38
- Dynamic torque (inch/lb) 2.69 x lever force (lb.) x braking radius, M38
- Parking/static torque (inch/lb) 35 lbf per 100 psi x braking radius, HP38
- Parking/static torque (inch/lb) 1.75 x lever force (lb.) x braking radius, M38
- 2.0 in.2 total friction pad area
- 1000 psi maximum HP38
- Buna N seals standard, EPR seals for automotive brake fluid (G)
- Internal crossover porting for double acting fixed models
- Optional floating bracket
- Search: **P38S, H38S, P38D, H38D, M38**



### 47 SERIES

Pneumatic floating/fixed P47SF, P47D | Hydraulic floating/fixed H47S, H47D | Mechanical M47

- Unlimited disc diameter
- Dynamic torque (inch/lb) 144 lbf per 100 psi x braking radius, HP47
- Dynamic torque (inch/lb) 2.69 x lever force (lb.) x braking radius, M47
- Parking/static torque (inch/lb) 72 lbf per 100 psi x braking radius, HP47
- Parking/static torque (inch/lb) 1.75 x lever force (lb.) x braking radius, M47
- 4.0 in.2 total friction pad area
- 1000 psi maximum HP47
- Retractable piston option (R)
- Buna N seals standard, EPR seals for automotive brake fluid (G)
- Internal crossover porting double acting fixed models
- Optional floating bracket.
- Search: **P47S, H47S, P47D, H47D, M47**





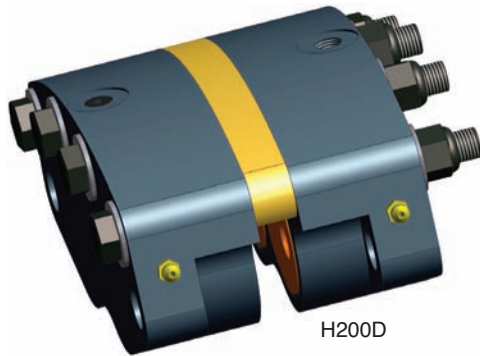
# CALIPER disc brakes

## 200 SERIES

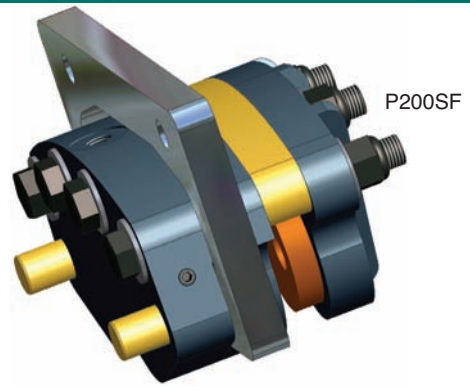
Pneumatic floating/fixed P200S P200D

Hydraulic floating/fixed H200S, H200D | Mechanical M200

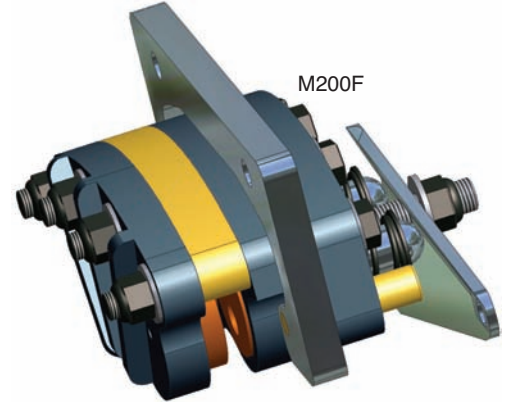
- Up to 16 inch disc diameter
- Dynamic torque (inch/lb)  $288 \text{ lbf per } 100 \text{ psi} \times \text{braking radius}$ , HP200
- Dynamic torque (inch/lb)  $7.45 \times \text{lever force (lb.)} \times \text{braking radius}$ , M200
- Parking/static torque (inch/lb)  $144 \text{ lbf per } 100 \text{ psi} \times \text{braking radius}$ , HP200
- Parking/static torque (inch/lb)  $3.73 \times \text{lever force (lb.)} \times \text{braking radius}$ , M200
- 8.0 in.2 total friction pad area
- 1500 psi maximum HP200
- Retractable piston option (R)
- Buna N Seals Standard, EPR Seals for automotive brake fluid (G)
- Internal crossover porting double acting fixed models
- Optional floating bracket
- Search: [P200S](#), [H200S](#), [P200D](#), [H200D](#), [M200](#)



H200D



P200SF



M200F

## 47/200 SERIES

Dual Function Mechanical/Hydraulic

- Up to 16 inch disc diameter
- Dynamic torque (inch/lb)  $144 \text{ lbf per } 100 \text{ psi} \times \text{braking radius}$ , MH47
- Dynamic torque (inch/lb)  $288 \text{ lbf per } 100 \text{ psi} \times \text{braking radius}$ , MH200
- Lever forces to 450 lb MH47, 580 lb MH200
- 8.0 in.2 total friction pad area
- 1000 psi maximum
- 1.625 inch friction pad diameter
- Spring retractable pistons
- Buna N seals standard, EPR seals for automotive brake fluid (G)
- Optional floating bracket
- Search: [MH47S](#), [MH200](#)

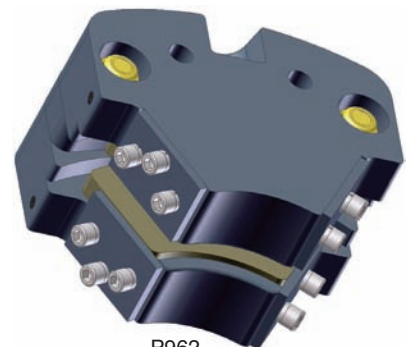


MH200

## 962 SERIES

Pneumatic/Hydraulic fixed P962D, H962D

- 12 to 18 inch disc diameter
- Change brake pads without dismounting brake
- Dynamic torque (inch/lb)  $693 \text{ lbf per } 100 \text{ psi} \times \text{braking radius}$
- Static torque (inch/lb)  $347 \text{ lbf per } 100 \text{ psi} \times \text{braking radius}$
- Internal crossover porting double acting
- Buna N Seals Standard, EPR Seals for automotive brake fluid (G)
- 21.96 in.2 total friction pad area
- 9.62 in.2 piston area
- 1000 psi maximum
- 3.5 inch piston diameter
- Search: [P962](#), [H962](#)



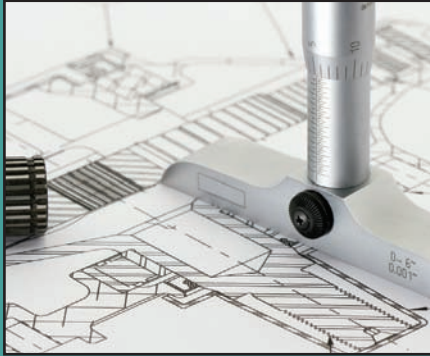
P962

## vehicular off-highway uses

| Utility trucks | Road construction | Turf vehicles | Lift trucks | Aircraft ground support equipment | Military trailers | Agricultural tractors | Mining

Enter search terms at [www.wcbranham.com](http://www.wcbranham.com) for more information

# CALIPER disc brakes



## Emergency Stopping. Pneumatic. Hydraulic.

*Spring applied caliper disc brakes function opposite of all other W.C. Branham Inc. pneumatic and hydraulic brakes. Normal brake operation requires active pressure to perform braking function and pressure removed to release.*

*Pneumatic PFS and Hydraulic FS models require active minimum pressure to release from braking. When pressure loss is experienced, the energy stored in the loaded Belleville disc spring stacks provides positive braking to stop the load.*

*These brakes are ideal for emergency stopping and holding of industrial machinery and off-highway vehicles.*

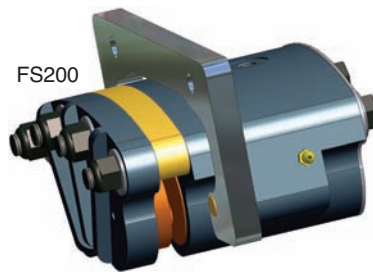
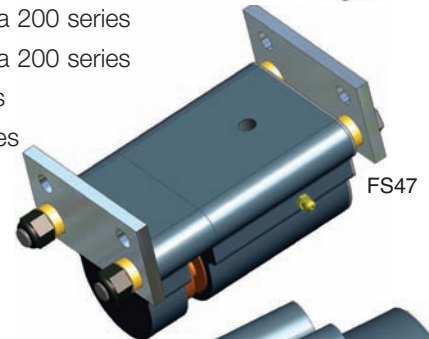
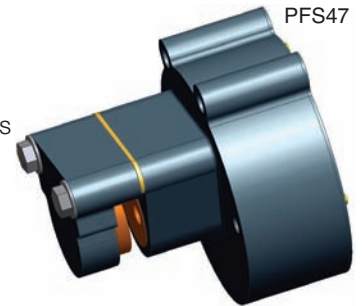
## standard features

Our caliper disc brakes are made of either quality precision machined or cast aluminum construction and hardcoated for long service life.

## 47/200 SERIES

Failsafe Spring Applied Pneumatic PFS47, PFS200  
Hydraulic FS47, FS200

- Unlimited disc diameter 47 series.
- Up to 16 inch disc diameter 200 series
- 85 PSI release pressure PFS47/200
- 750 PSI release pressure FS47/200
- 465 lb. tangential force 47 series\*
- 930 lb. tangential force 200 series\*
- 4.0 in.2 total friction pad area 200 series
- 8.0 in.2 total friction pad area 200 series
- 1000 psi maximum 47 series
- 1500 psi maximum 200 series
- Buna N Seals Standard, EPR Seals for automotive brake fluid (G)
- Optional floating bracket
- Search: **PFS47, PFS200, FS47, FS200**



*\*As pad wear effects brake torque, spring applied brakes should not be used for tensioning or high cyclic stopping applications.*

## DISCS AND DISC & HUB ASSEMBLIES

- 5 disc diameters available, 6 5/16", 8", 10", 12", 16"
- Use with 38, 47, 200 series caliper disc brakes
- Machined discs with bolt circle and pilot hole
- Blank discs also available
- Wide selection of hubs for each disc diameter
- 1008/1010 carbon steel
- Stress relieved
- Flat to .010 inch
- Blanchard ground
- 80 RMS finish
- Search: **4801 (6 5/16"), 4802 (8"), 4803 (10"), 4804 (12"), 4805 (16")**



# RIGHT ANGLE gear drives



**Turn Corners. No Drips.  
Worry Free. Cool.**

*Slide keyed shafting through the bores and take a right turn for the better!*

*W.C. Branham Inc. Right Angle Gear Drives are vast improvements over "float-style" or "slide-style" models made from other companies. All of our gear drives use heavy duty sealed ball bearings that support both thrust and radial loads which eliminate the need for an inner bearing race in competitor's roller bearing models.*

*Our sealed gearcases and bearings prevents lubricant leakage ending the need for, yes, drip pans. Fewer parts and cooler operating temperatures offer better performance and improves efficiency.*

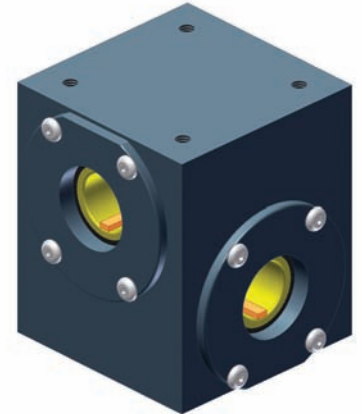
## standard features

Bi-Directional | Right and Left Hand rotation | Heavy duty sealed ball bearings | Sealed gear case | Pre-Lubricated with MagnaLube®-G Grade H2

### ADD-A-SHAFT® MINI

Compact 1 inch shaft centers

- 1:1 gear ratio
- Speeds to 1800 RPM
- Maximum hand torque, 132 in. lbs.
- Accepts 5/8" and 1/2" keyed shaft diameter combinations
- 1045 heat treated 45° helical gears
- Machined aluminum construction, hardcoated
- Optional foot mount
- 2.87 in. tall x 2.5 in. wide
- Search: [AAS Mini](#)

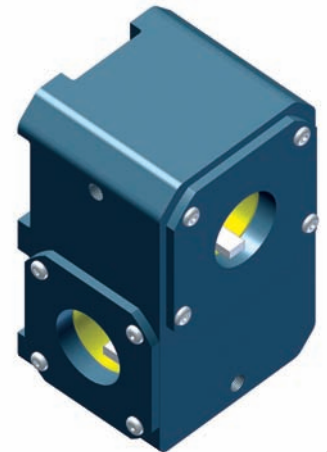


AAS Mini

### ADD-A-SHAFT®

1.0, 1.25, 1.5 inch bore combinations

- 2 1/2 inch shaft centers (1:1, 3:2 Ratios)
- 2 1/4 inch shaft centers (2:1 Ratio)
- Speeds to 1200 RPM
- Maximum hand torque, 609 in. lbs.
- 8620 heat treated 45° helical gears
- Cast aluminum construction, hardcoated
- Base mount types with integrated mounting foot print
- Search: [AAS 1:1](#), [AAS 3:2](#), [AAS 2:1](#), [AAS BM](#)



AAS BM

### INSERT-A-SHAFT®

5/8, 3/4, 1, 1 1/4 inch bore combinations

- Integrated hollow bore shafting for smaller shaft diameters and greater combinations
- 2 1/2 inch shaft centers (1:1, 3:2 Ratios)
- 2 1/4 inch shaft centers (2:1 Ratio)
- Speeds to 1200 RPM
- Maximum hand torque, 609 in. lbs.
- 8620 heat treated 45° helical gears
- Cast aluminum construction, hardcoated
- Base mount types with integrated mounting foot print
- Search: [IAS 1:1](#), [IAS 3:2](#), [IAS 2:1](#), [IAS BM](#)



IAS BM

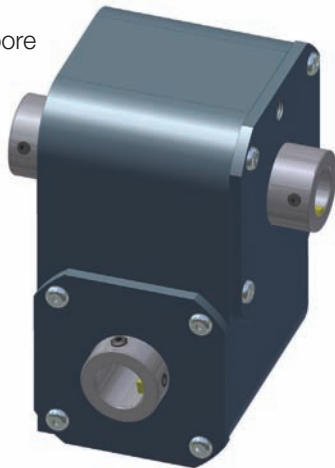
RIGHT ANGLE  
gear drives

# RIGHT ANGLE gear drives

## INSERT-A-SHAFT® EXTENDED SHAFT

Added shafting support

- Integrated extended hollow bore shafting for smaller shaft diameters
- 2 1/2 inch shaft centers (1:1, 3:2 Ratios)
- 2 1/4 inch shaft centers (2:1 Ratio)
- Speeds to 1200 RPM
- Maximum hand torque, 402 in. lbs.
- 8620 heat treated 45° helical gears
- Cast aluminum construction, hardcoated
- Search: **IAS-ES 1:1, IAS-ES 3:2, IAS-ES 2:1**

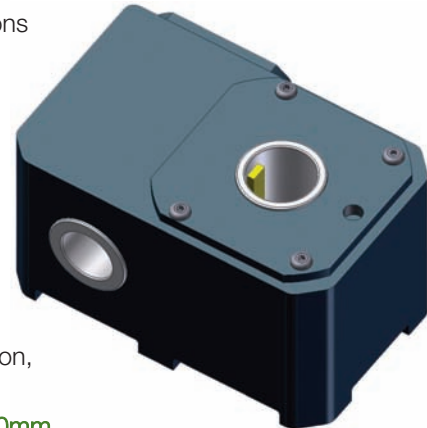


IAS-ES

## INSERT-A-SHAFT® METRIC

20, 25, 30mm bore diameters

- Choice of standard or base mounting
- Metric mounting dimensions
- Metric shaft keys
- 2 1/2 inch shaft centers (1:1, 3:2 Ratios)
- Speeds to 1200 RPM
- Maximum hand torque, 402 in. lbs.
- 8620 heat treated 45° helical gears
- Cast aluminum construction, hardcoated
- Search: **20mm, 25mm, 30mm**



IAS Metric

## ADD-SHAFT® / INSERT-A-SHAFT®

Greater bore diameter choices

- Combines both popular models for widest selection
- 'A' Bore - 1.0, 1.25, 1.5 inch diameters
- 'B' Bore - 5/8, 3/4, 1 inch diameters
- 2 1/2 inch shaft centers (1:1, 3:2 Ratios)
- 2 1/4 inch shaft centers (2:1 Ratio)
- Speeds to 1200 RPM
- Maximum hand torque, 402 in. lbs.
- 8620 heat treated 45° helical gears
- Cast aluminum construction, hardcoated
- Search: **AAS/IAS 1:1, AAS/IAS 3:2, AAS/IAS 2:1**



AAS/IAS

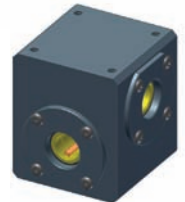
## NEW GLIDE RIGHT™

Direct mounting interchangeable drives

- T-O-M S-Rite Interchangeable
- Compact Mini 1:1 Ratio on 1 inch shaft centers
- Compact Mini accepts 5/8" and 1/2" keyed shaft diameter combinations
- Standard 1:1 and 3:2 Ratios on 2 1/2 inch shaft centers
- Standard 2:1 Ratios on 2 1/4 inch shaft centers
- Standard accepts 3/4, 1, 1 1/4, 1 1/2 inch keyed shaft diameter combinations
- (8) R10 Double Sealed Ball Bearings, Compact Mini Models
- H.D. R24 & R20 Double Sealed Ball Bearings, Standard Models
- Compact mini maximum hand torque, 264 in. lbs.
- Standard maximum hand torque, 609 in. lbs.
- Lube & breather ports with fittings
- Search: **Glide Right**



Glide Right



Glide Right Mini

## standard features

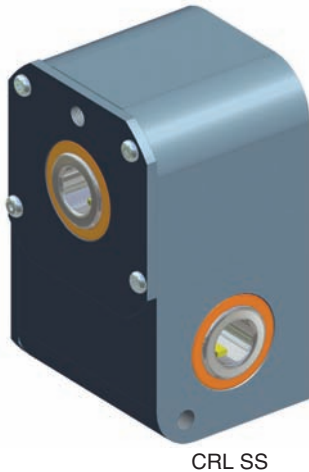
Bi-Directional | Right and Left Hand Rotation | Heavy Duty Sealed Ball Bearings | Sealed Gear Case | Pre-Lubricated with MagnaLube-G Grade H2

# RIGHT ANGLE gear drives

## NEW CRL™ GEAR DRIVES

Continuous Recirculating Lubricant

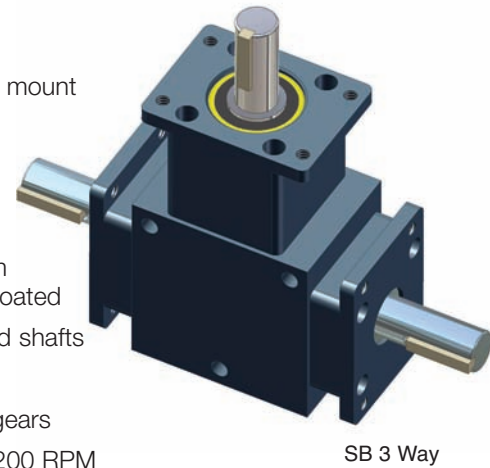
- Pre-lubricated with Lubriplate 1500
- Integrated extended hollow bore shafting for 5/8, 3/4, 1 inch diameters
- Other configurations for 5/8, 3/4, 1 and 1 1/4 inch diameter shafting
- 2 1/2 inch shaft centers (1:1, 3:2 Ratios)
- 2 1/4 inch shaft centers (2:1 Ratio)
- (4) HD R20 Double Sealed Ball Bearings
- Speeds to 1200 RPM
- Maximum hand torque, 609 in. lbs.
- 8620 heat treated 45° helical gears
- Cast aluminum construction, hardcoated
- Optional integrated mounting foot print, Base mount types
- Stainless steel and electro-nickel plated optional
- Search: [CRL](#)



## BRANHAM SPIRAL BEVELS

2 or 3 way, hollow bore

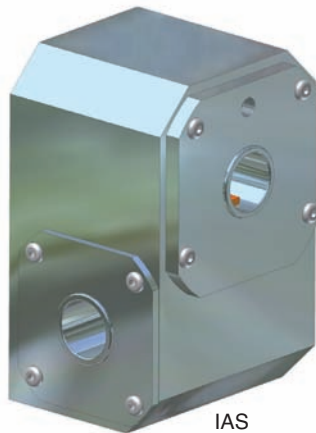
- 1:1 Ratios
- Side base or flange mount
- 2.125 inch housing width models
- Counter rotating model available
- Machined aluminum construction, hardcoated
- Electro Nickel plated shafts
- Sealed gearcase
- 8620 heat treated gears
- 1.65 HP rated at 1200 RPM
- 500 in. lb. static torque rated
- Double sealed ball bearings
- Interchangeable with other brands
- Search: [SB-2.125](#)



## WASHDOWN SERIES

Food processing compatible

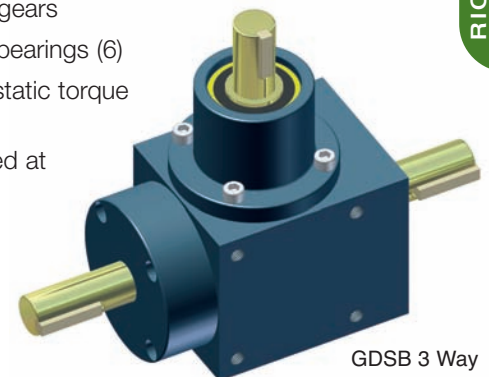
- Stainless Steel and Electro-Nickel Plated
- Compact Mini Add-A-Shaft Versions, 1 inch shaft centers
- Compact Mini 5/8 inch diameter bore sizes
- Standard Add-A-Shaft and Insert-A-Shaft Versions
- Standard 3/4, 1, 1 1/4 inch diameter bore sizes
- (8) Stainless Steel Heavy Duty Sealed Ball Bearings
- Maximum hand torque, 609 in. lbs.
- Maximum hand torque, 264 in. lbs. (Mini)
- 2 1/2 inch shaft centers (1:1, 3:2 Ratios)
- 8620 heat treated 45° helical gears
- Search: [Washdown](#)



## BRANHAM SPIRAL BEVELS

Cyclo-Index, Gribetz Intl Interchanges

- Mattress industry manufacturer's series
- 1:1 Ratio
- 2-, 3-way and hollow bore models
- Extruded aluminum construction, anodized
- Sealed gearcase
- 8620 heat treated gears
- #1623 sealed ball bearings (6)
- Up to 500 in. lbs. static torque rated
- Up to 1.65 HP rated at 1200 RPM
- Search: [GDSB](#)



RIGHT ANGLE  
gear drives

designed with you in mind

Our designs are a direct result from polling OEM design engineers who had first hand experience with right hand helical drives.

Enter search terms at [www.wcbranham.com](http://www.wcbranham.com) for more information

# DOORTEC PNEUMATIC overhead door operators



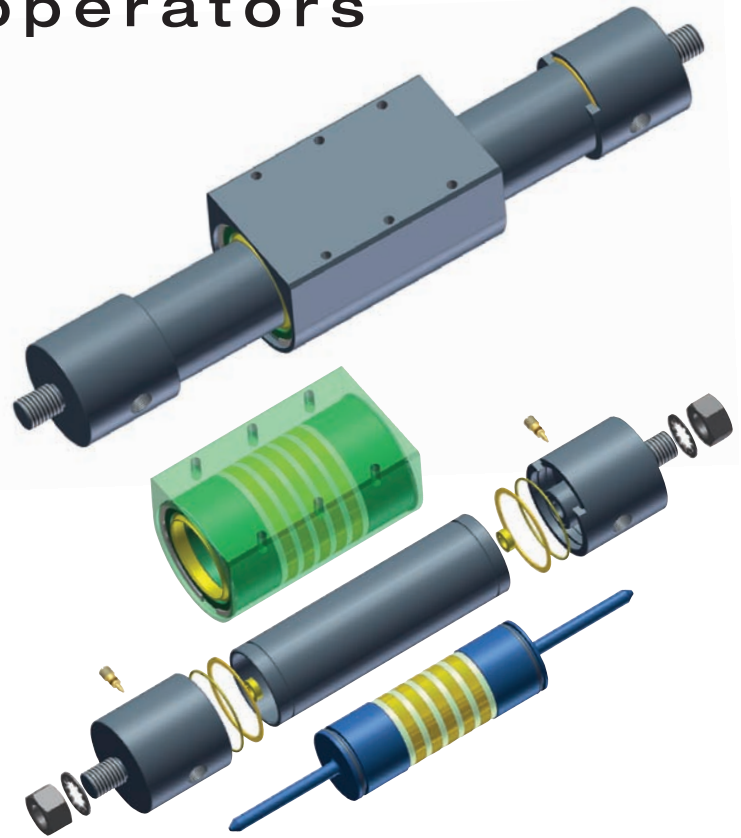
*Three Decades of Cylinder Design Experience Goes Into Every DoorTec® Operator Sold.*

*DoorTec Pneumatic Opening Systems are a new generation of door openers for the overhead door industry.*

*Car Care retail centers like car wash, oil change and automotive tire replacement stores as well as auto dealerships will benefit from DoorTec technology that offers worry-free pneumatic operation and reliability even in cold weather.*

*Warehouse distribution centers, fire stations as well as Local, State, Federal Government and Military buildings with multiple bay doors, will also benefit from W.C. Branham Inc. DoorTec solutions to pneumatic high rise and low rise door opening systems.*

*DoorTec Pneumatic Opening Systems offer a choice of pneumatic linear actuators. Choose the MAGTEC® series, with its' aluminum round tube body or the PNEUSA® guided series designed around a dual chamber extruded aluminum body.*



## DOOR OPERATORS

### MAGTEC®

- Low rise operators
- Magnetically coupled piston and carrier
- Internally sealed for greater service life
- Suitable for car wash door opener applications
- 2.0 inch I.D. bore size (optimal)
- Safe and secure
- 440 lb magnet coupling force
- 1/8 inch wall aluminum tubing hardcoated to 68 RC
- Adjustable 3 inch internal cushions for smooth decel
- Carrier zerk grease fittings
- O.D. tube wipers
- 3/8 NPT ports
- Stud mount
- Stainless steel hardware and hardcoated components
- Repairable
- Pre-configured sizes for 8, 10, 14 12 foot door heights
- Custom strokes to 276 inches
- Purchase individually or as bundled kits
- Search: **MAGTEC operator**

## did you know?

All DoorTec models include a 36 month warranty. Go to [www.wcbranham.com](http://www.wcbranham.com) for details. | Airlift Inc. private labeled the W.C. Branham Inc.

Tele 715.426.2000

# DOORTEC PNEUMATIC overhead door operators



## DOOR OPERATORS

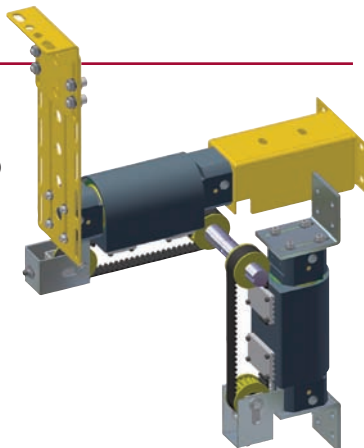
PNEUSA®

- Low rise operators
- Provides guiding and load support
- Pre-configured sizes for 8, 10, 12 14 foot door heights
- Internally sealed for greater service life
- 1.75" (44mm), bore size
- Suitable for car wash door opener applications
- Carrier/piston mechanically coupled
- 3 inch internal fixed orifice cushioning
- Hardcoated I.D./O.D.
- 3/8 NPT ports x 6
- Integral head mount
- Stainless steel hardware and hardcoated components
- Field repairable
- Pre-configured sizes for 8, 10, 12 14 foot door heights
- Purchase individually or as bundled kits
- See PNEUSA under Pneumatic Actuators
- Search: **1895-0032**

## DOOR OPERATOR KITS

Jack Shaft Operators JSO

- Use when horizontal or vertical space is limited
- Integrates with shaft of overhead door
- Mechanical advantage of cable drum circumference
- Uses MAGTEC operator
- HTD belt
- Optional 2 button UL approved control
- Optional sensor package
- Search: **JSO**



## DOOR OPERATOR REPLACEMENTS

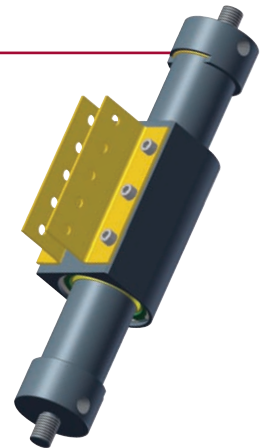
POWERGLIDE™ by Airlift Doors Inc.

- Replacements for Models PGH109, PGH130, PGH154, PGH178 for 8, 10, 12 14 foot door heights, respectively
- Original manufacturer of all powerglide operators, see PNEUSA door operators at left
- 1.75" (44mm), bore diameter
- 1/4 NPT ports x 6
- Search: **1895-0015**

## DOOR OPERATOR REPLACEMENTS

MAGNAGLIDE™ by Airlift Doors Inc.

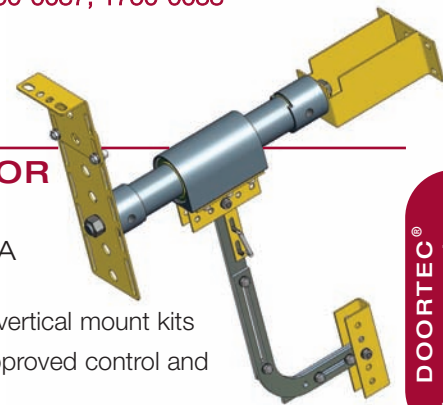
- Replacements for Models MG111, MG135, MG159 for 8, 10, 12 foot door heights, respectively
- True 2 inch bore I.D. v. magnaglide 1.87 inch bore I.D.
- 25% more magnet coupling force, 440 lb v. magnaglide 331 lb
- 3/8 NPT ports v. magnaglide 1/4 NPT
- Repairable v. magnaglide non-repairable
- Carrier zerk grease fittings v. none on magnaglide
- O.D. Tube wipers v. none on magnaglide
- One inch internal cushions v. none on magnaglide
- Load rated to 289 lbs @ 100 psi
- Search: **1750-0036, 1750-0037, 1750-0038**



## DOOR OPERATOR KITS

MAGTEC and PNEUSA

- Choice of Horizontal or vertical mount kits
- Includes 2 button UL approved control and optional E-Open
- Optional sensors
- Search: **Operator kit**



DOORTEC®  
door operators

PNEUSA cylinder called Powerglide. | W.C. Branham Inc. can make a DoorTec operator for any door height. | Qualified dealers and installers wanted.

Enter search terms at [www.wcbranham.com](http://www.wcbranham.com) for more information

## SERVICE & QUALITY we stand behind both

"I want to take a second to tell you how much I appreciate your service. You have answered all my emails promptly and provided all information I needed. In fact, I just got off the phone (with another supplier) purchasing six thousand dollars worth of repair parts and the whole transaction felt like they thought they were doing me a favor! Calls and emails not returned, parts diagrams needed but not provided. And here you are giving me Cadillac service for just a few inexpensive parts. It makes me reflect on wanting to make sure I provide my customers with the same type of service as you've demonstrated. Thanks for that."

Martin F. , Manson, WA



SOLUTIONS IN MOTION™

Tele 715.426.2000 | Fax 715.426.1400 | Toll Free 800.428.1974

398 Troy Street | River Falls, Wisconsin 54022

Email [askwcb@wcbranham.com](mailto:askwcb@wcbranham.com) | [www.wcbranham.com](http://www.wcbranham.com)