




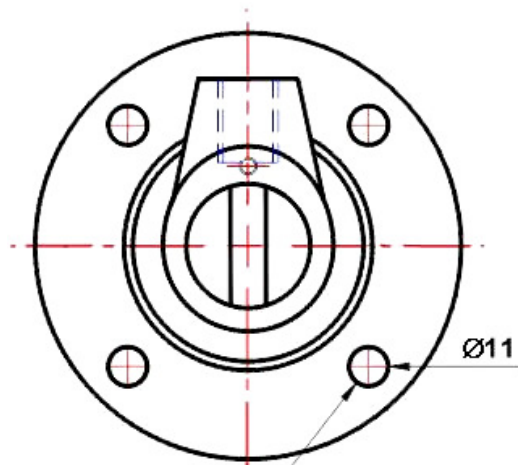
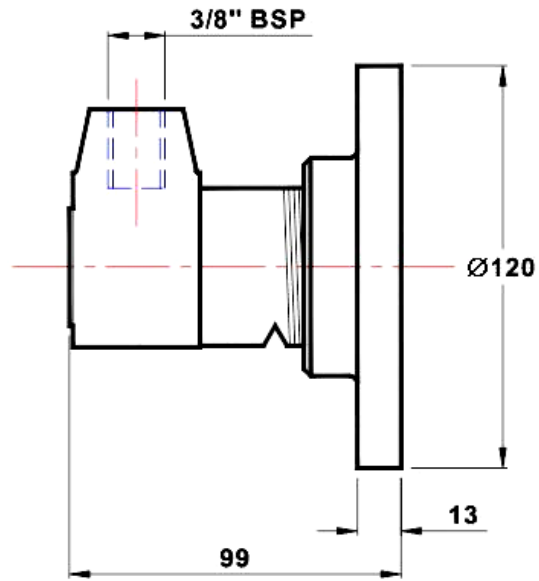
PNEUMATIC IMPACTING VIBRATORS

MODEL V1

- Linear Vibration
- Robust Unit

On request can be supplied with ATEX certification
To ATEX 95 94/9/EC  II 2 G & D Zone 1, 2 & 21, 22

2 CHAPEL ROAD, PORTSLADE, BRIGHTON, BN41 1PF ENGLAND
Tel. +44(0) 1273 430977 Fax. +44 (0) 1273 430978
Web. www.vibtec.com E-mail. sales@vibtec.com



4 HOLES EQUALLY PITCHED
ON A 96 PCD

PERFORMANCE DATA

MODEL	Piston Dia. mm	Stroke mm	Height mm	Fixing Bolts	Impacts per/min	Air Consumption l/min	Working Pressure	Weight kgs
V1	28.5	25.4	99	M10	4000	160	6 Bar	2.04